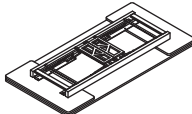

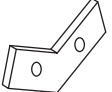
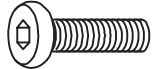


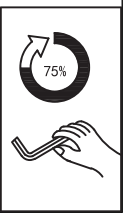
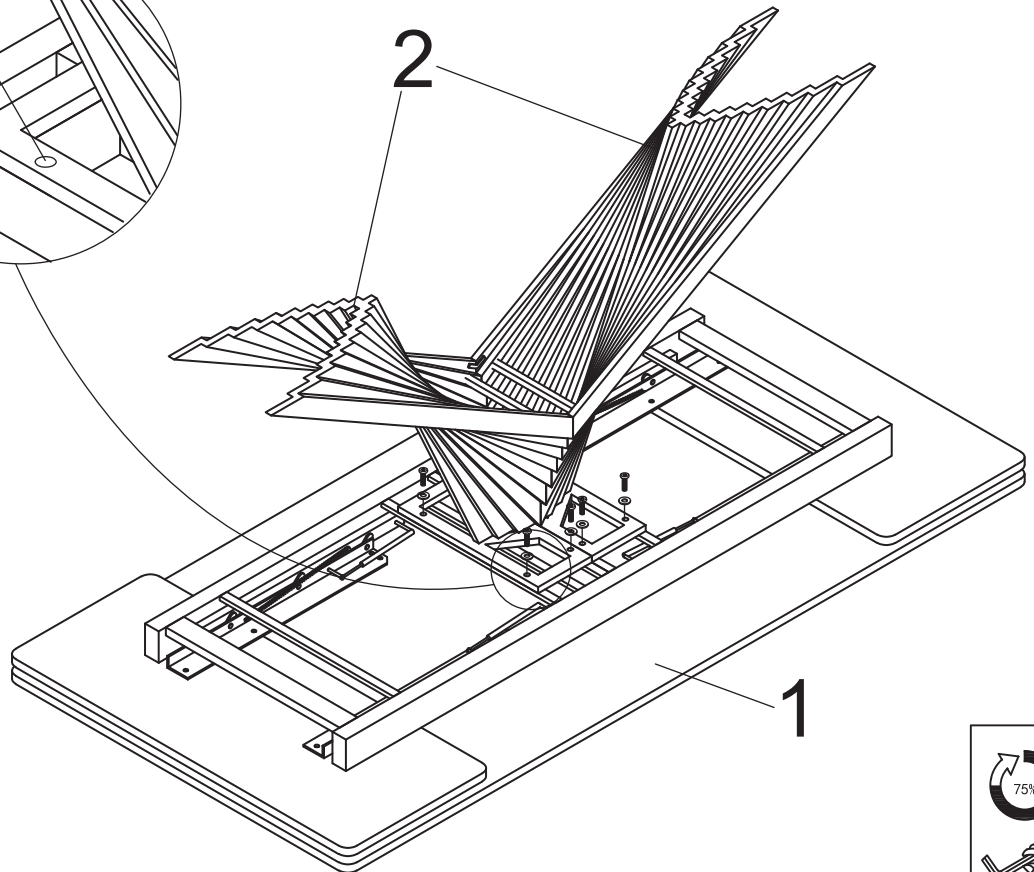
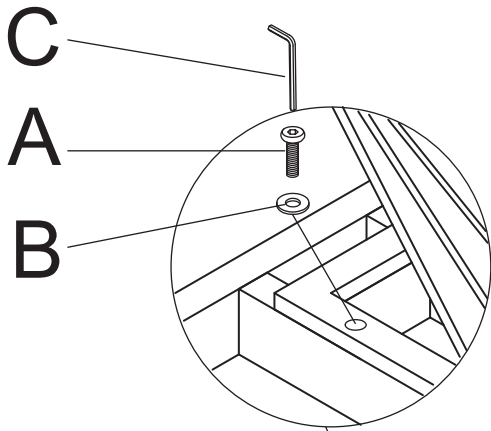
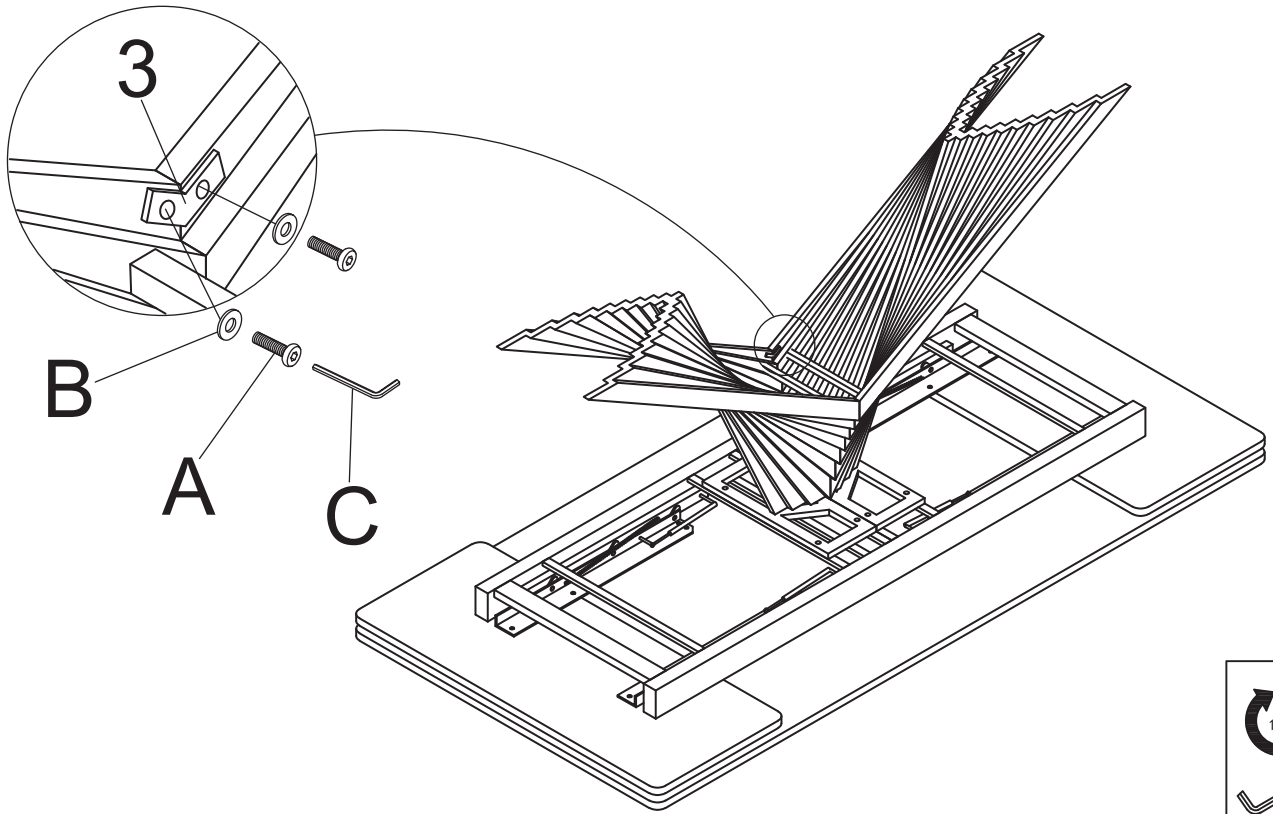


1  X1	2  X2	3  X2
A  X12	B  X12	C  X1

①



2



3

