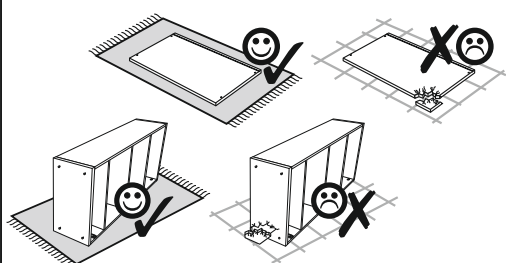
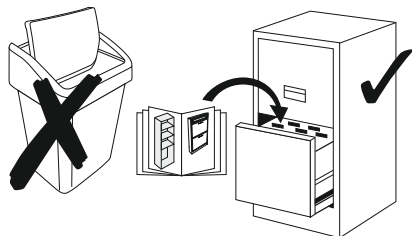
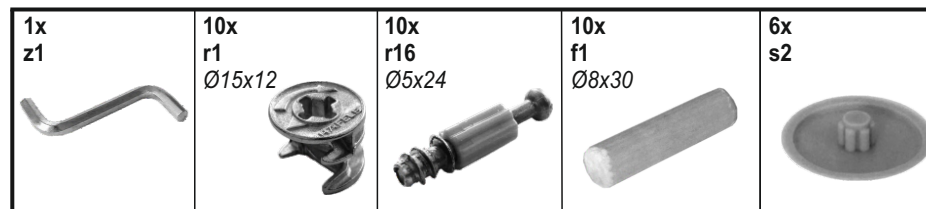
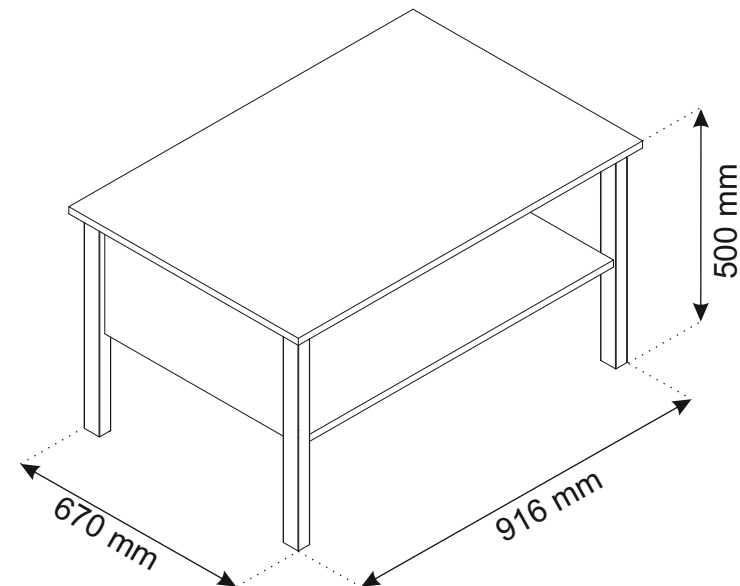
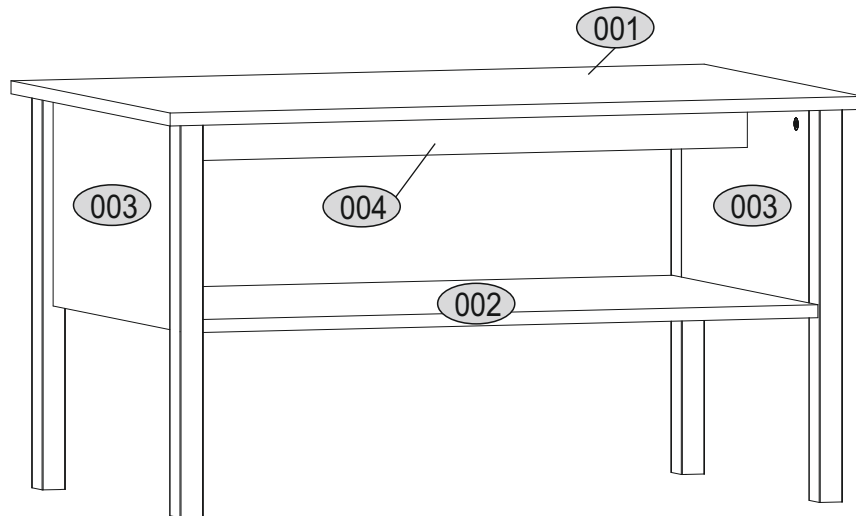
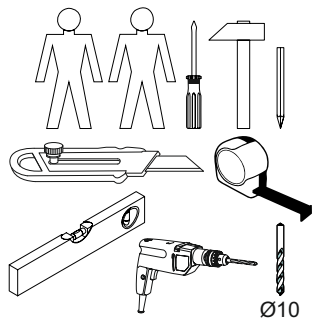
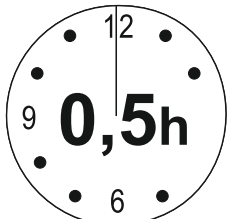


Installation manual

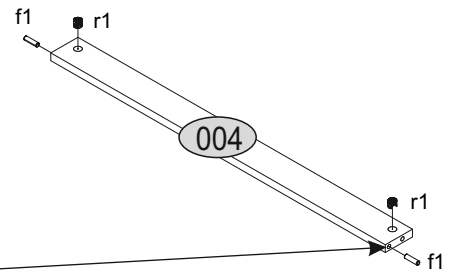
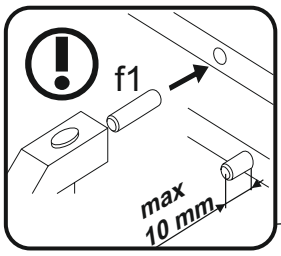
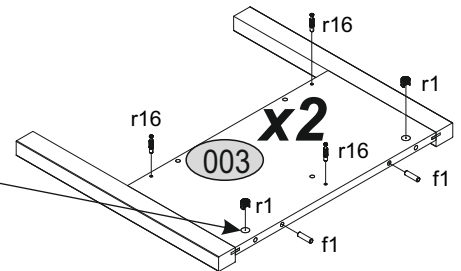
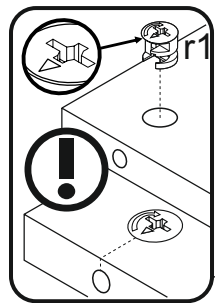
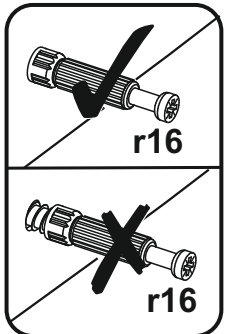
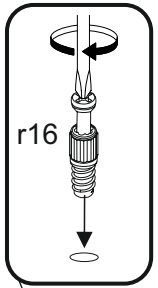
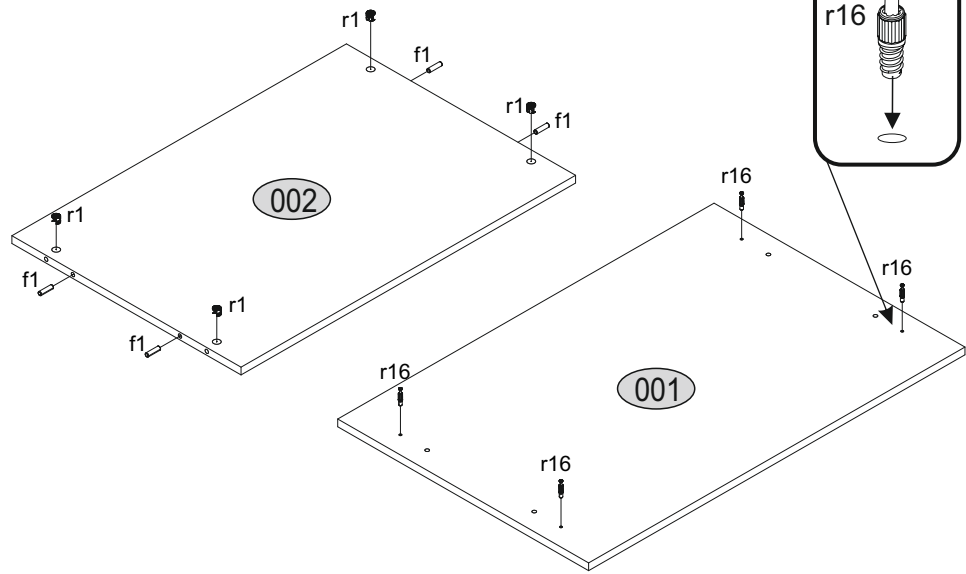
Klark Coffee table 90



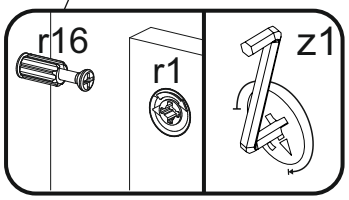
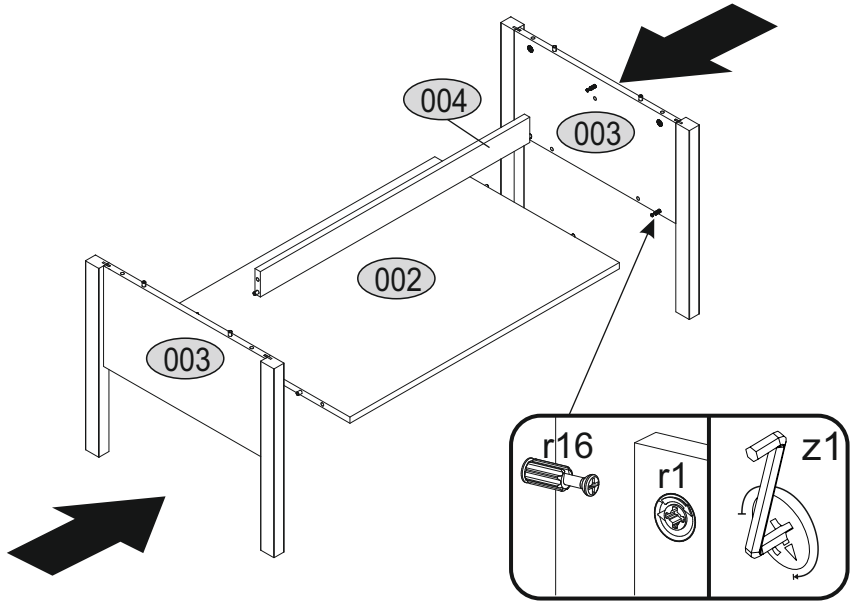
| Code | Dimensions | | | Package |
|-------------|------------|-----|----|---------|
| 1 | 916 | 670 | 16 | 1/1 |
| 2 | 816 | 604 | 16 | 1/1 |
| 3 | 484 | 630 | 30 | 1/1 |
| 4 | 816 | 65 | 16 | 1/1 |
| accessories | | | | 1/1 |

1


| | | |
|--|---|--|
|  r1 |  r16 |  f1 |
| x10 | x10 | x10 |



2



3

| |
|---|
|  s2 |
| x6 |

